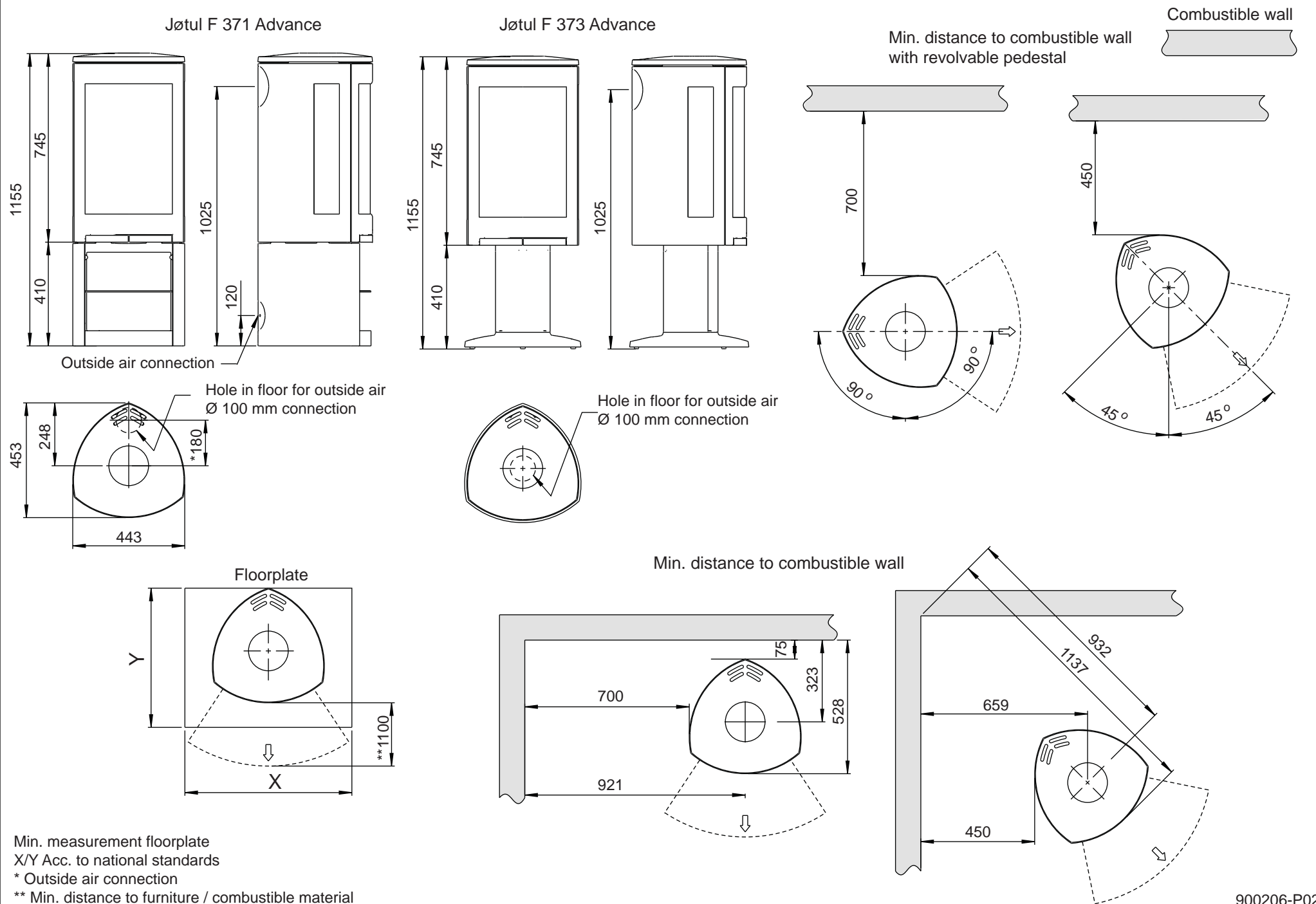


Fig. 1a

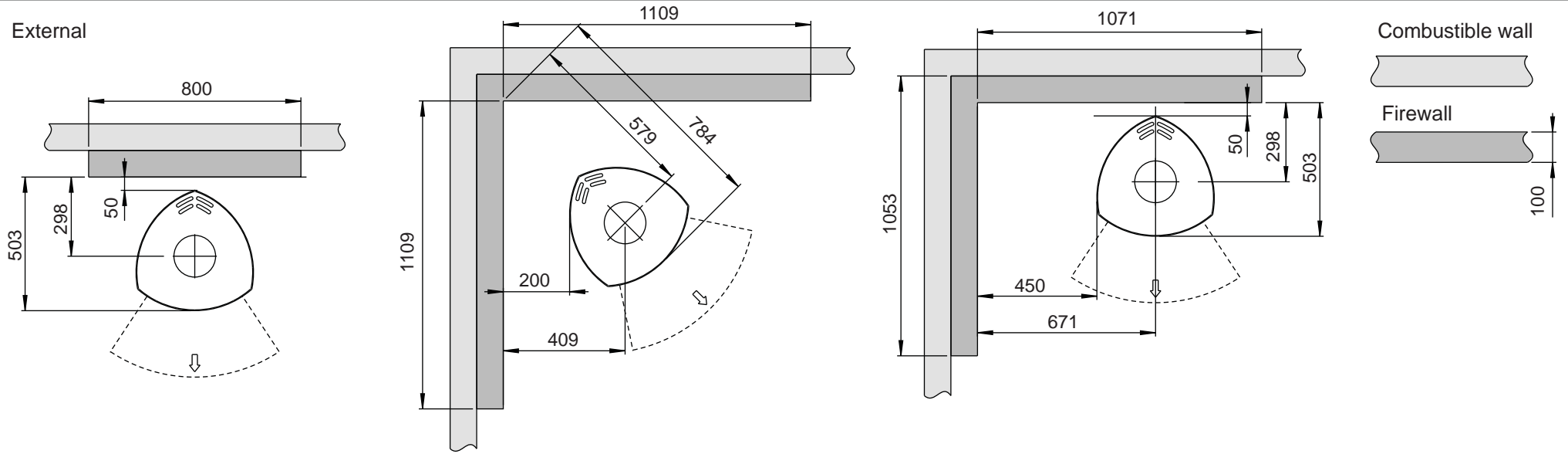


Min. measurement floorplate  
X/Y Acc. to national standards  
\* Outside air connection  
\*\* Min. distance to furniture / combustible material

Fig. 1b

Jøtul F 370 Advance - min. distance to firewall

External



Integrated

